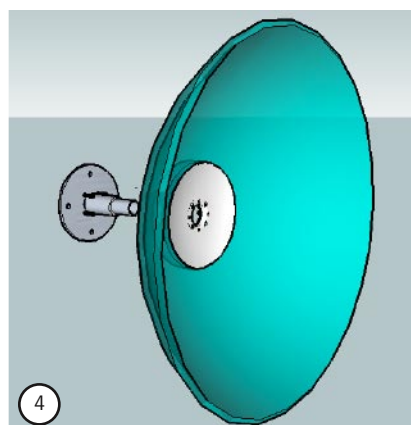
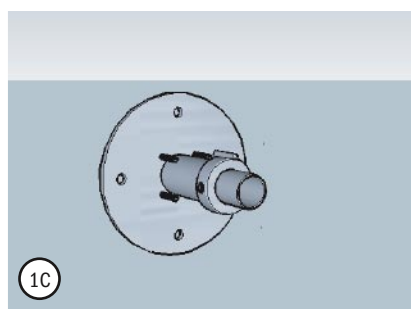
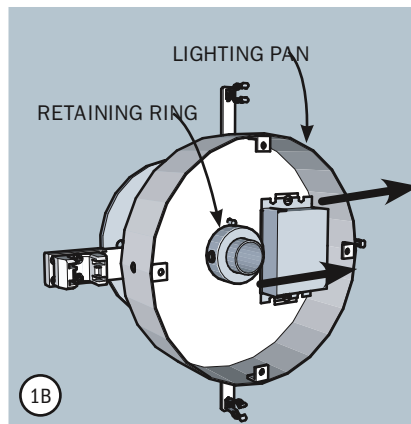
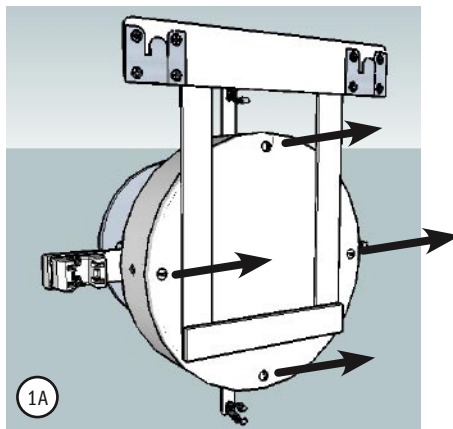




FULL MOON MIRROR INSTALLATION



Before beginning installation, TURN OFF POWER TO OUTLET BOX.

All Alchemy work is handcrafted so exact color, pattern and dimension will vary. Please note that these are one-of-a-kind items and exact dimensions may vary by as much as 3/8".

Partially disassemble the mirror mount unit :

1A) Remove 4 white screws from the face
1B) Using the included allen wrench remove the retaining ring, then slide the lighting pan off the tube (see 1C).

2) Make sure supply power is turned off. Connect the pigtail wires to your supply wires coming from a junction box in the wall (wire nuts are included), and tuck the wires back into the junction box with just the pigtail coming out.

3) Slide the loose end of the pigtail through the back of the wall plate and out the front of the tube, then mount the wall plate to the wall. **IMPORTANT:** Make sure to mount the wall plate securely to a stud or other sturdy wood backing in the wall, using appropriately sized lag bolts.

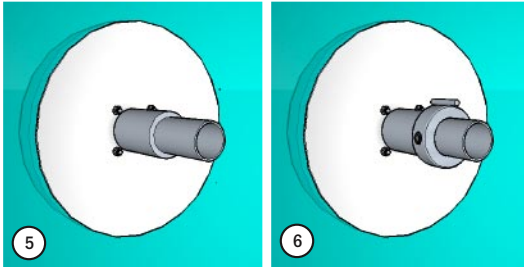
4) Place the decorative glass bowl over the tube and against the wall plate, lining it up so that the 4 threaded studs on the wall plate fit through the holes in the glass mount already attached to the glass bowl. Use the included (4) 8-32 nuts to secure the bowl to the mount.

5) Place 2" diameter collar with the 3/16" index pin onto the pipe with the tab at the 12:00 o'clock position and tighten the set screw.

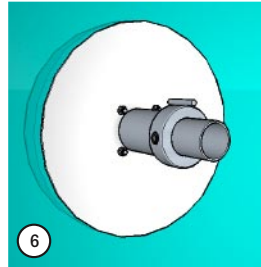
(Continued on Back of Page)



FULL MOON MIRROR INSTALLATION

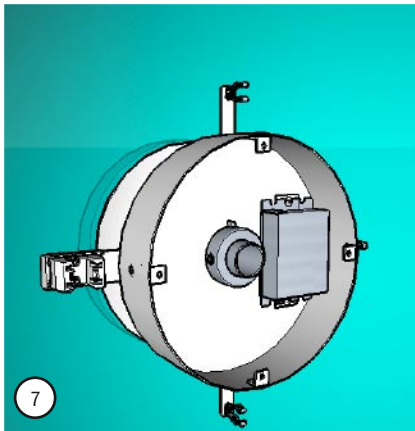


5



6

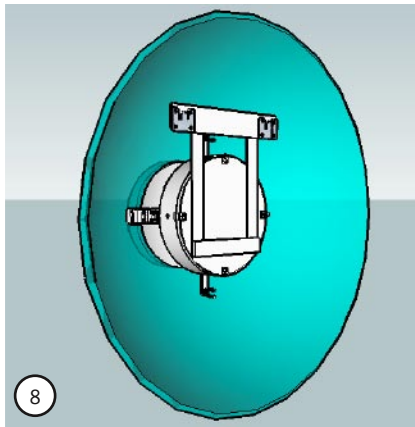
6) Place the light fixture housing onto the pipe and line the 3/16" hole with the index pin on the collar so that the pin fits through the hole. Secure the housing tight against the first collar with the second 2" diameter collar.



7

7) Connect the pigtail wires to the wires inside the light housing using the included wire nuts—white to white, black to black, green (ground) to green.

8) Secure the light fixture housing cover to the housing using the (4) white 8/32 screws. Make sure the mirror clips are at the 12 o'clock position.

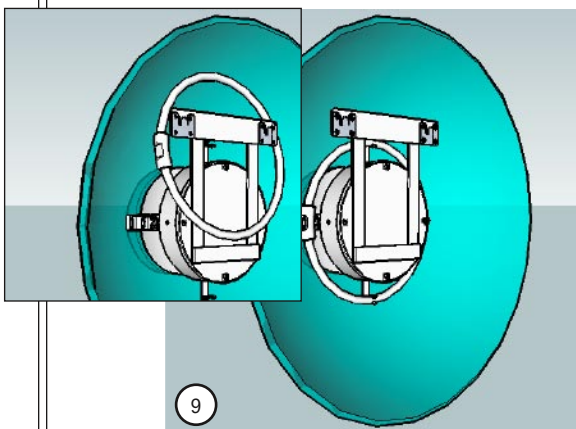


8

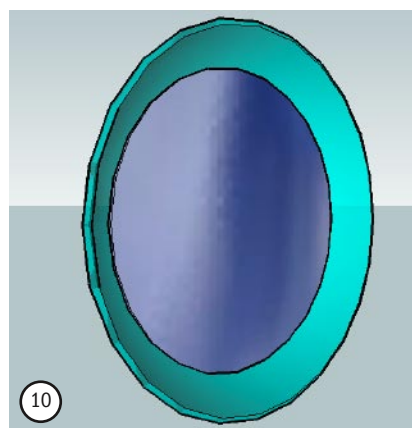
9) Install the T-5 40W fluorescent lamp by maneuvering it around the bar holding the mirror brackets, positioning the contact pins on the lamp with the socket at the 9 o'clock position and then pushing it back into the socket. The rest of the bulb should also push back into the 3 lampholders at the 3, 6, and 12 o'clock position.

10) Place the mirror against the housing cover and then slide down until the mirror clips on the back of the mirror engage with the mirror clips on the housing cover. Make sure both clips are fully engaged.

END OF INSTALLATION



9



10