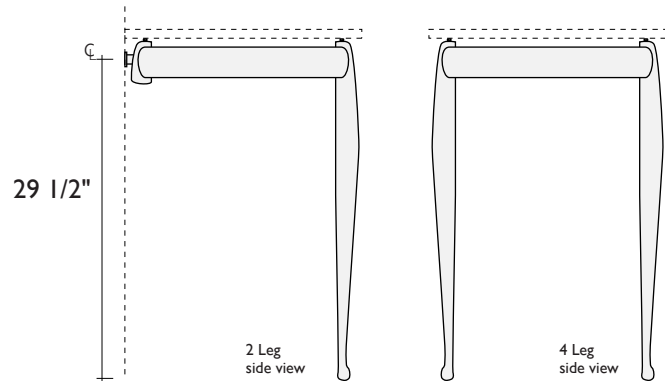
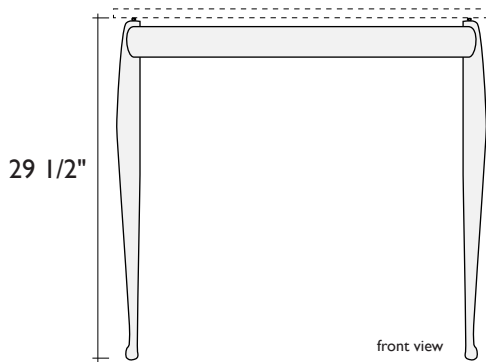
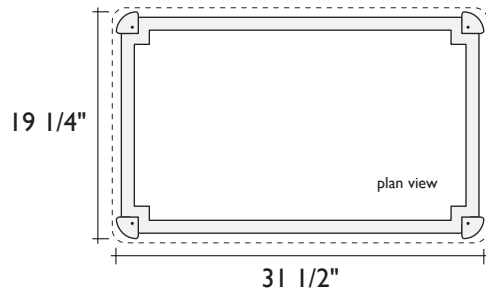


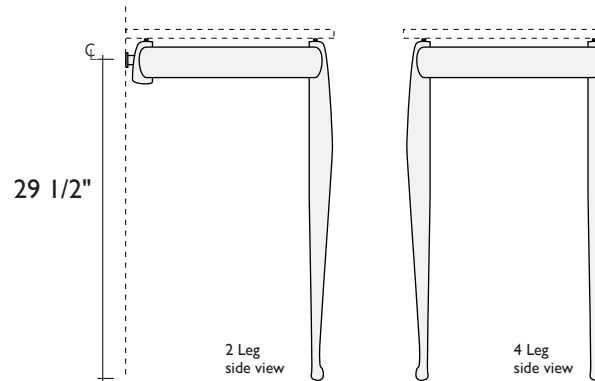
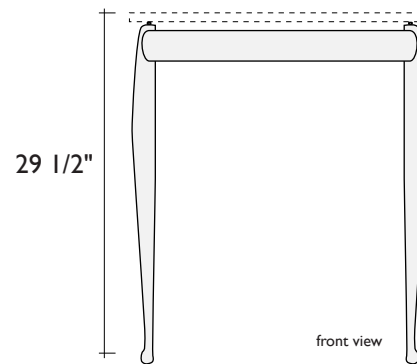
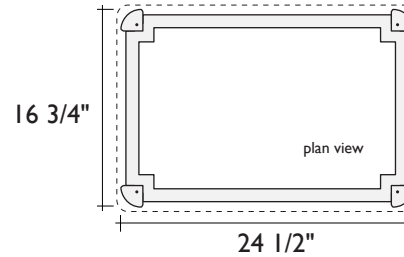


# SPECIFICATIONS: SCULPTED LEGS VANITY BASE (FOR GLASS TOPS):

## STANDARD SIZE (FOR 32X20 COUNTERTOP)



## SMALLER SIZE (FOR 26X18 COUNTERTOP)



## ITEM NUMBERS:

Standard Size  
4 Leg



- AB3171.12
- AB3171.31
- AB3171.63

Clear Aluminum  
Polished Nickel  
Bronze Plated

Standard Size  
2 Leg



- AB3172.12
- AB3172.31
- AB3172.63

Clear Aluminum  
Polished Nickel  
Bronze Plated

Smaller Size  
4 Leg



- AB3271.12
- AB3271.31
- AB3271.63

Clear Aluminum  
Polished Nickel  
Bronze Plated

Smaller Size  
2 Leg



- AB3272.12
- AB3272.31
- AB3272.63

Clear Aluminum  
Polished Nickel  
Bronze Plated

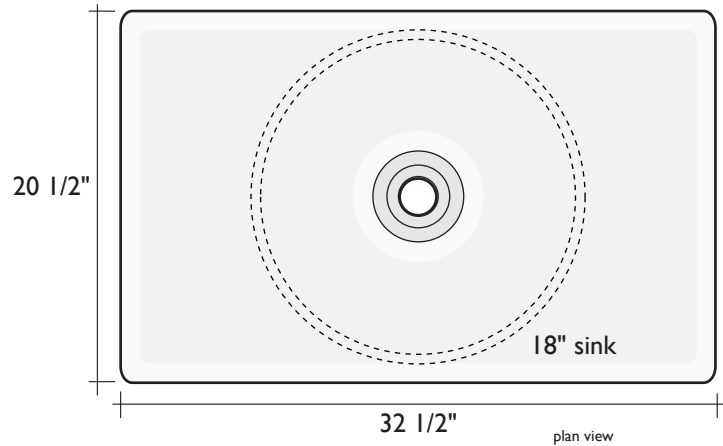
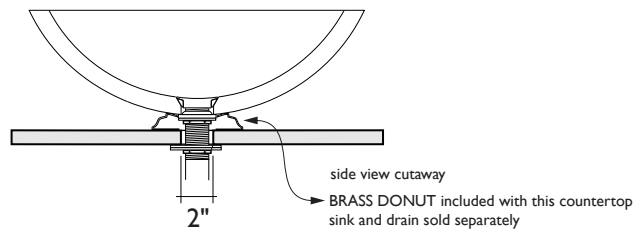
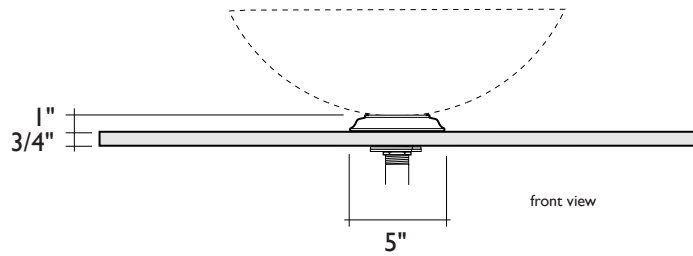
**NOTES:** The Sculpted Legs Vanity base has either 2 or 4 legs that bolt on to a frame and is designed to support Alchemy's glass countertops. The pieces are heat-strengthened cast aluminum, with a hand-hammered finish. The 4 Leg version is designed to be free-standing, while the 2 Leg version is supplied with hardware to mount the rear of the frame to a wall. Rubber bumpers threaded into the frame support the glass countertop. For more information on assembling this vanity base, see "Sculpted Legs Vanity Assembly Instructions."

ALCHEMY  
GLASS & LIGHT  
[www.alchemyglass.com](http://www.alchemyglass.com)

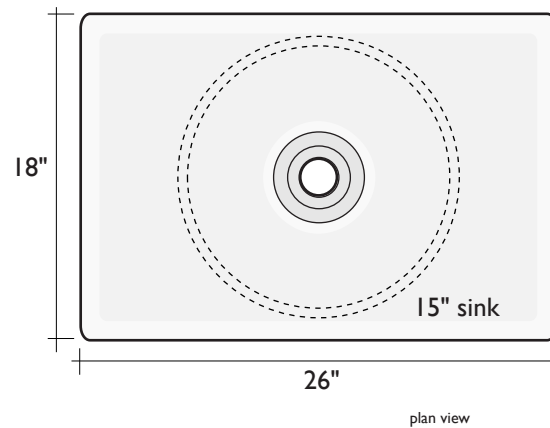
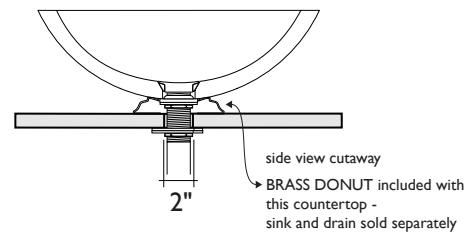
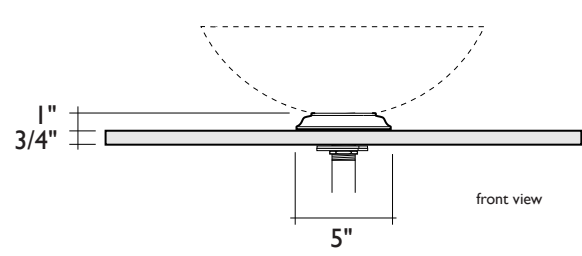


# SPECIFICATIONS: GLASS COUNTERTOP (FLAT/NO SLUMP):

## STANDARD SIZE

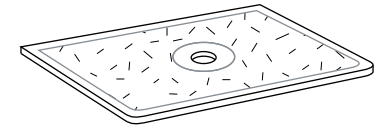


## SMALLER SIZE



# ITEM NUMBERS:

Glacier Glass



AB2102.81  
AB2202.81

32 1/2" x 20 1/2"  
26" x 18"

Alchemy also offers plated aluminum vanity bases designed specifically for these glass tops. See "Sculpted Legs Vanity Base Specifications" for more info.

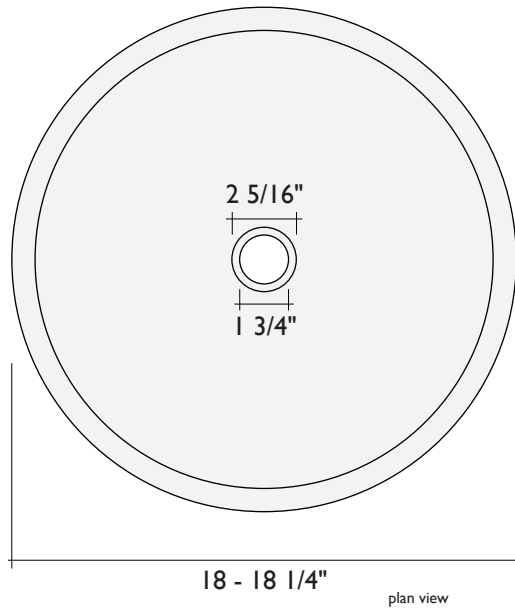
**NOTES:** Glass countertops are 3/4" thick glass in single layer with gluechipped pattern on underside surface. They have 1' radius corners and 2" holes in the center to accept tail piece of Alchemy's drain assemblies. Flat (no slump) Countertops are supplied with a Brass Donut mounting ring, C-Washer and extra nut for sink installation with an Alchemy drain assembly (see "Brass Donut Installation Instructions" for more info).

ALCHEMY  
GLASS & LIGHT  
[www.alchemyglass.com](http://www.alchemyglass.com)

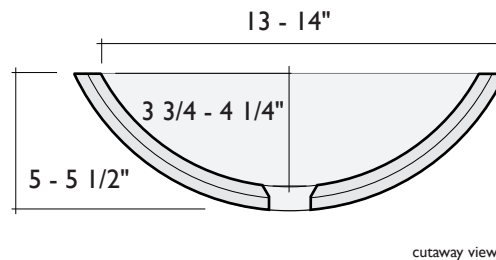
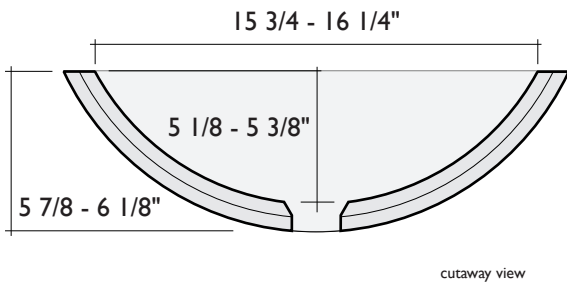
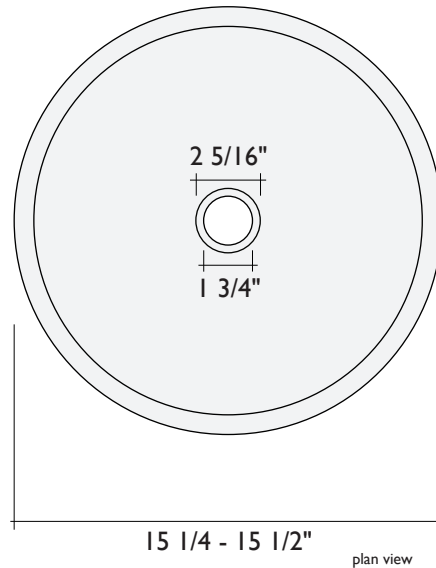


# SPECIFICATIONS: SINKS (ABOVE-COUNTER):

## STANDARD ROUND (18" DIAMETER)



## SMALL ROUND (15" DIAMETER)



## EDGES



Machine Polished (Misto & Glacier)



Erosion Edge (Fused)



Ground & Polished (Fused)

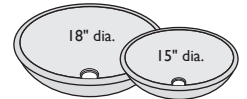


Ground & Polished (Gold & Platinum)

## ITEM NUMBERS:

Machine Polish

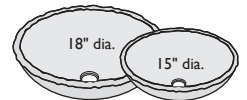
ABIX01.81  
ABIX02.81



Misto  
Glacier

Erosion Edge

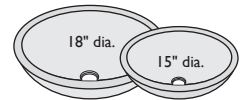
ABIX11.82  
ABIX12.82  
ABIX13.82  
ABIX14.82  
ABIX15.82  
ABIX21.82  
ABIX22.82



Velvet Cienega  
Coral Cienega  
Lava Cienega  
Cienega Ether  
Cienega Fireworks  
Burnished Fossil  
Fallen Leaves

Ground & Polished

ABIX02.83  
ABIX11.83  
ABIX12.83  
ABIX13.83  
ABIX14.83  
ABIX15.83  
ABIX21.83  
ABIX22.83  
ABIX41.83  
ABIX42.83



Glacier  
Velvet Cienega  
Coral Cienega  
Lava Cienega  
Cienega Ether  
Cienega Fireworks  
Burnished Fossil  
Fallen Leaves  
Pure Gold  
Platinum

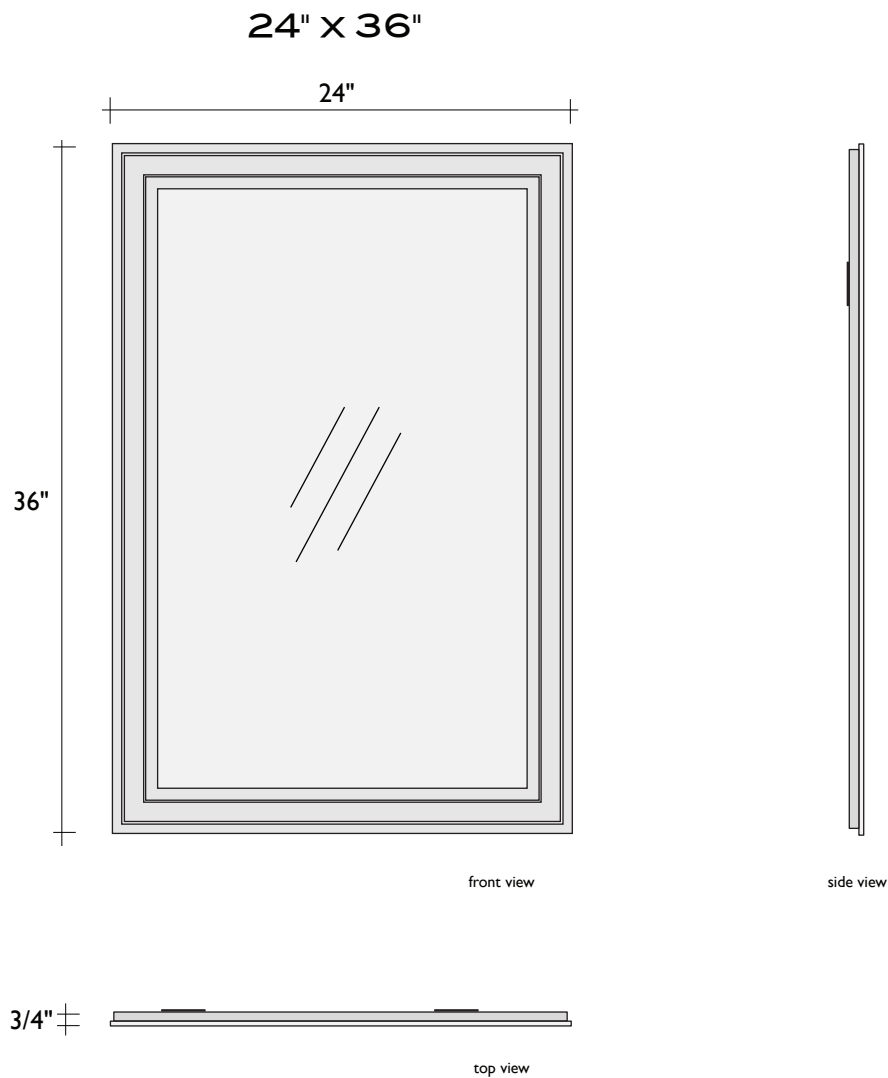
For item number, replace 'X' with 1 for 18" diameter sinks, and 2 for 15" diameter sinks.

**NOTES:** Thickness is 1" for fused glass sinks (Cienega and Etched Metal designs), and 3/4" for monochrome (single layer) glass sinks (Misto, Glacier, Gold and Platinum). Above-Counter Sinks are round and do not have a flattened bottom. They should not be installed flush against a flat surface. Please see "Sink Care and Installation Instructions for important care and maintenance information, as well as "Installation Ideas for Above-Counter Sinks" for various solutions including pedestals, slumped or carved countertops, and Alchemy's Brass Donut mounting ring.

ALCHEMY  
GLASS & LIGHT  
[www.alchemyglass.com](http://www.alchemyglass.com)



# SPECIFICATIONS: MIRRORS (NICK GLACIER MIRROR):



# ITEM NUMBERS:

Nick  
Glacier  
Mirror

AB8602.90



Gluechipped

**NOTES:** Mirror has gluechipped border design, wood backing and slimline brackets attached.

ALCHEMY  
GLASS & LIGHT  
[www.alchemyglass.com](http://www.alchemyglass.com)