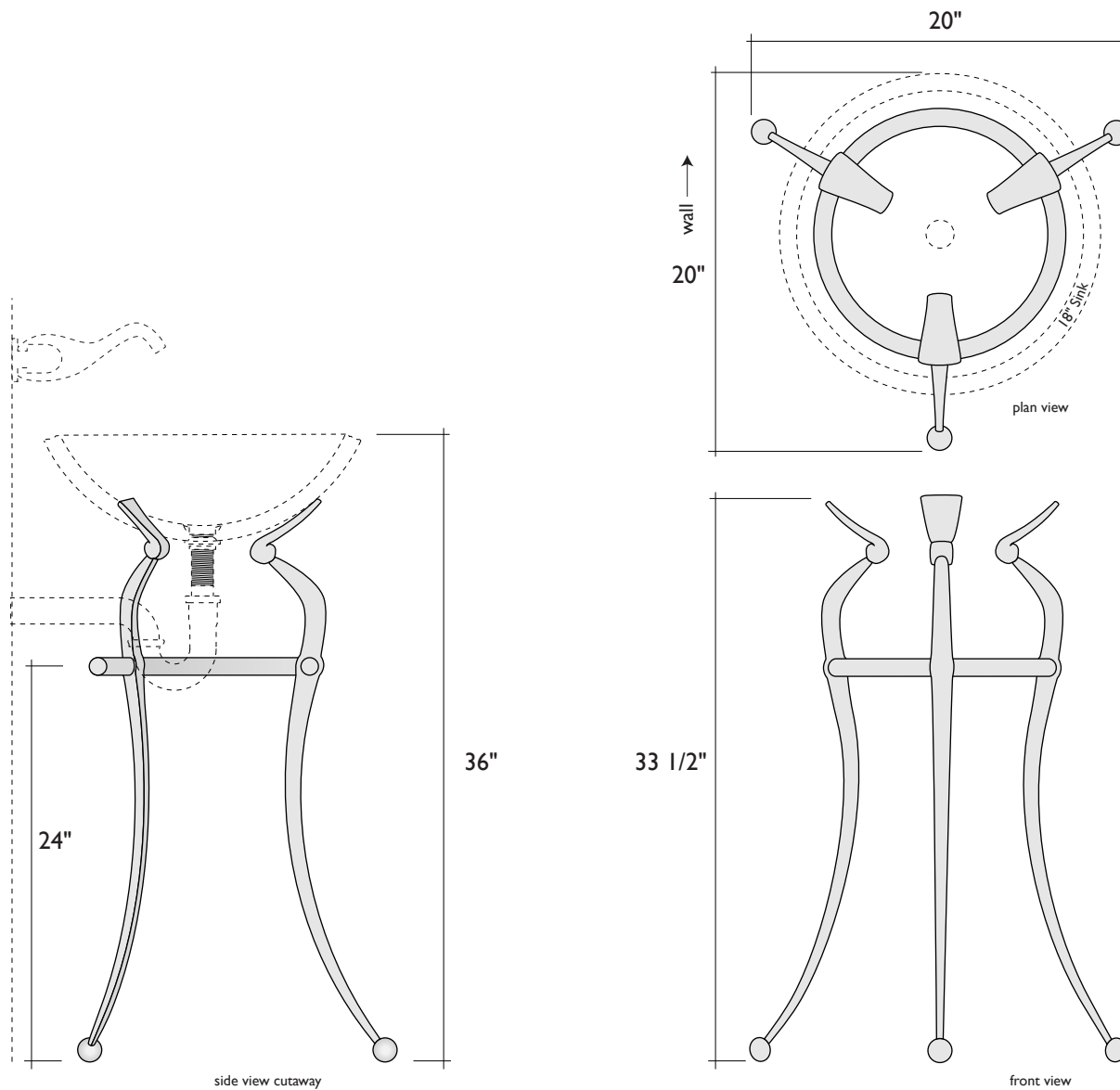


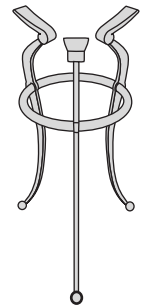


SPECIFICATIONS: CAST BRONZE PEDESTAL:



ITEM NUMBERS:

3 Leg
Pedestal



AB3701.68

Bronze Patina

It is possible to order the Alchemy drain assembly with different finishes for the tail piece and drain cap. For example, If the Pedestal will be supporting Alchemy's Pure Gold sink, order the combination Gold/Oil-Rubbed Bronze Drain Assembly to have the tailpiece match the Pedestal and the cap match the sink.

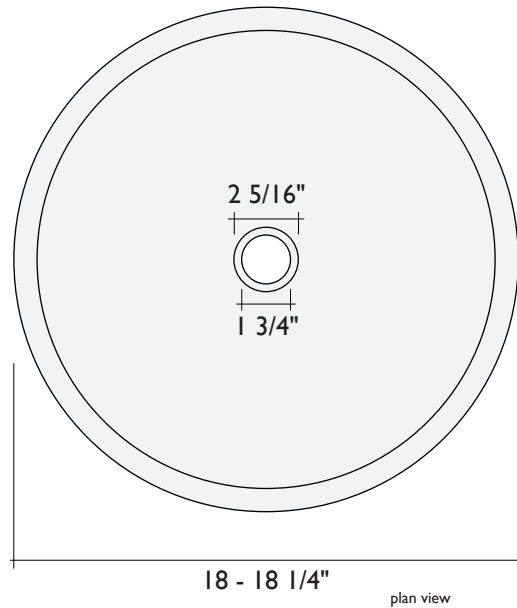
NOTES: The Cast Bronze Pedestal is a single piece 3-legged pedestal shell-cast in solid bronze and finished with a hand-rubbed patina. Pieces are shipped from Alchemy with a coating of paste wax which can be buffed and/or reapplied at any time the piece starts to look a little dull. The Bronze Pedestal supports the 18" (standard size) above-counter Alchemy bowl - the 15" bowl and oval undermount sinks do not fit in this pedestal. Be sure to order the P-Trap and drain tail piece in Oil-Rubbed Bronze to match the Pedestal's patina.

ALCHEMY
GLASS & LIGHT
www.alchemyglass.com

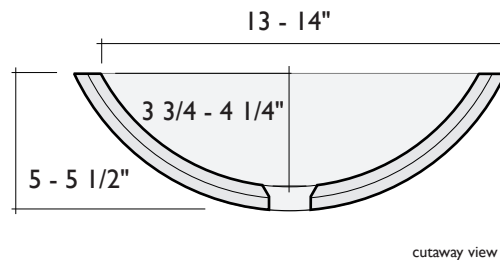
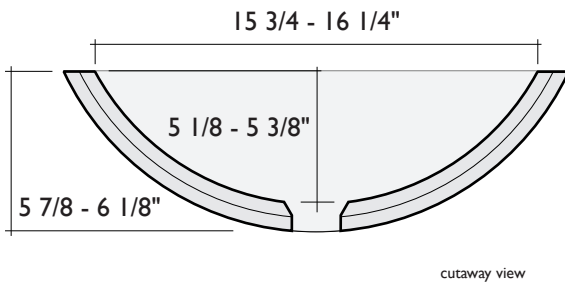
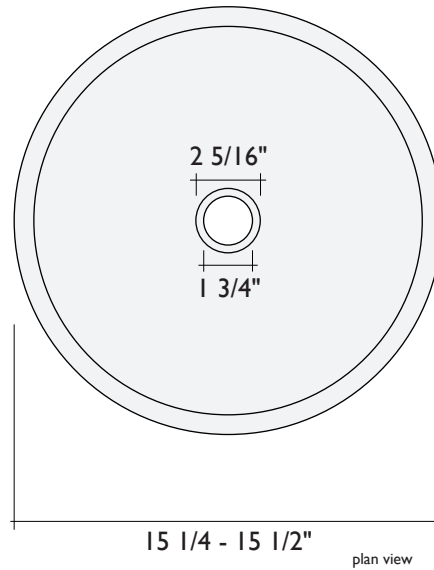


SPECIFICATIONS: SINKS (ABOVE-COUNTER):

STANDARD ROUND (18" DIAMETER)



SMALL ROUND (15" DIAMETER)



EDGES



Machine Polished (Misto & Glacier)



Erosion Edge (Fused)



Ground & Polished (Fused)

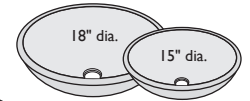


Ground & Polished (Gold & Platinum)

ITEM NUMBERS:

Machine Polish

ABIX01.81
ABIX02.81



Misto
Glacier

Erosion Edge

ABIX11.82

ABIX12.82

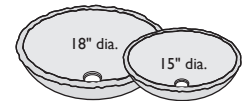
ABIX13.82

ABIX14.82

ABIX15.82

ABIX21.82

ABIX22.82



Velvet Cienega
Coral Cienega
Lava Cienega
Cienega Ether
Cienega Fireworks
Burnished Fossil
Fallen Leaves

Ground & Polished

ABIX02.83

ABIX11.83

ABIX12.83

ABIX13.83

ABIX14.83

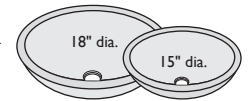
ABIX15.83

ABIX21.83

ABIX22.83

ABIX41.83

ABIX42.83



Glacier
Velvet Cienega
Coral Cienega
Lava Cienega
Cienega Ether
Cienega Fireworks
Burnished Fossil
Fallen Leaves
Pure Gold
Platinum

For item number, replace 'X' with 1 for 18" diameter sinks, and 2 for 15" diameter sinks.

NOTES: Thickness is 1" for fused glass sinks (Cienega and Etched Metal designs), and 3/4" for monochrome (single layer) glass sinks (Misto, Glacier, Gold and Platinum). Above-Counter Sinks are round and do not have a flattened bottom. They should not be installed flush against a flat surface. Please see "Sink Care and Installation Instructions for important care and maintenance information, as well as "Installation Ideas for Above-Counter Sinks" for various solutions including pedestals, slumped or carved countertops, and Alchemy's Brass Donut mounting ring.

ALCHEMY
GLASS & LIGHT
www.alchemyglass.com